

Traditional software versus Hyper-V installation

Wavecrest's Hyper-V install package is just as easy to install as any traditional software package you have ever installed before, even if you have a large VM environment or none at all. The best option for you might be to install this on your own Windows server and completely manage it yourself. You will have total control over managing its system resources, instead of having to request for resources, wait, and hope they get granted.

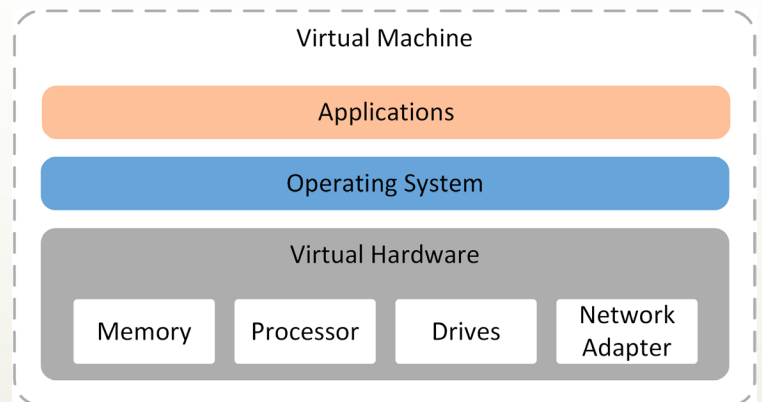
At a high level, the steps for both traditional software and Hyper-V installations are depicted below.

Installation Steps	Traditional Software	Microsoft Hyper-V
Acquire Windows server with sufficient resources, i.e., CPU, memory, and disk space.	√	√
Run install wizard.	√	√
Choose location for installed files.	√	√
Restart computer if Hyper-V is disabled and rerun install wizard.		√
Complete install wizard.	√	√
Configure network settings.		√

As you can see, many of the installation steps for traditional software and for Hyper-V are the same. However, the benefits that a Hyper-V installation can bring to your business are many as described below.

Using Hyper-V for your VM environment

The Hyper-V install wizard is similar to a traditional software install wizard and allows you to easily and quickly set up your resources or virtual hardware. The install wizard enables Hyper-V, if not already enabled, and creates your product as an image in a virtual machine (VM). A VM is a software-based or virtual representation of your physical computer. Virtualizing resources, such as CPU, memory, and storage, reduces IT expenses and increases the efficiency and agility of your business. You can run many VMs at the same time on a single server, allocating different virtual resources for each VM. The resulting benefits are scalability and optimum performance. Putting multiple VMs on a single computer enables several operating systems and applications to run on just one physical server.

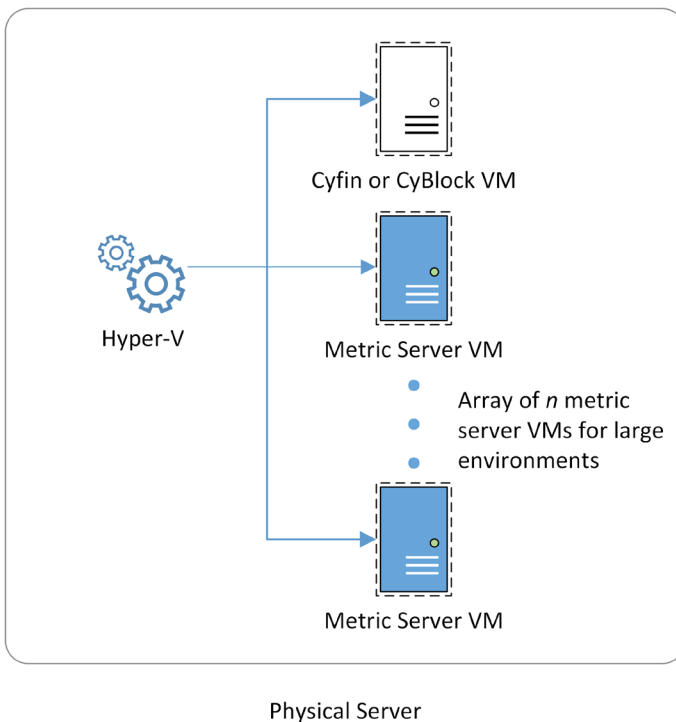


Hyper-V is built into 64-bit versions of Windows 8 and later and also Windows Server, meaning no additional purchase is necessary. You do not need to have VM experience to use the Hyper-V install wizard. It is easy to run.

Benefits of using Hyper-V

- Hyper-V is included in Windows and Windows Server, meaning you can save in the long term on maintenance fees and additional licenses compared with other hypervisors.
- Hyper-V is based on Windows, a common operating system that you are already familiar with.
- Instead of always having to implement physical servers, Hyper-V gives you that agility and ease to set up new virtual systems without having to buy extra hardware.
- It allows you to consolidate servers and workloads onto fewer, more powerful physical computers to use less power and physical space.
- Hyper-V is portable, that is, you can move or distribute your VM to a different Windows machine.
- It is a better option to support your Cyfin or CyBlock product as an image versus on a physical server.
- Virtual resources can be adjusted easily as demand changes.
- The setup instructions are easy to follow and will get you up and running quickly. You do not need to have VM experience to set up your VM environment.

Both Cyfin and CyBlock can be deployed in a Hyper-V environment. Using Windows or Windows Server, the Cyfin or CyBlock VM and metric server VM are created with Hyper-V. The metric server is the smart engine that searches, analyzes, and stores your data, i.e., your report database. You may create as many metric servers as you need for your environment.



For assistance in setting up your Cyfin or CyBlock VM environment, contact Technical Support at (321) 953-5351, Ext. 4 or support@wavecrest.net.



Wavecrest has over 25 years of proven history of providing reliable, accurate Web-use management and Advanced Log File Analyzer products across various industries. Managed Service Providers, IT Specialists, HR professionals, Forensics Investigators, and business managers trust Wavecrest's Cyfin and CyBlock products to manage the human factor in business Internet usage—managing cloud services, reducing liability risks, improving productivity, saving bandwidth, and controlling costs. Wavecrest is trusted by large government and commercial organizations such as US-CERT Homeland Security, U.S. Department of Justice, USPS Office of Inspector General, National Grid, Johns Hopkins, and a growing list of global enterprises and government agencies. We are a proud long-term GSA contract holder. For more information on the company, products, and partners, visit <https://www.wavecrest.net>.

Wavecrest Computing
904 East New Haven Avenue
Melbourne, FL 32901
toll-free: 877-442-9346
voice: 321-953-5351
fax: 321-953-5350
sales@wavecrest.net